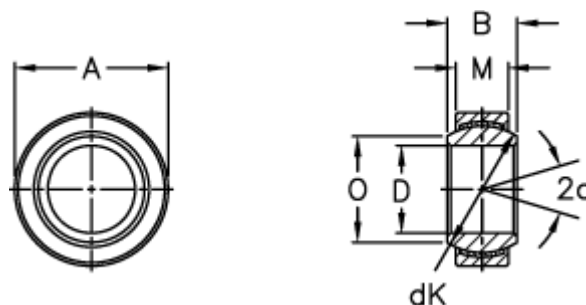


Article number: 03442120

Description: Fluro Rod end GE 120EC-NIRO

Measures



A	= 180 0 -0,025	Tilt angle = 6
B	= 85	Weight = 8000
D	= 120 0 -0,020	
dK	= 160	
Dynamic load C (kN)	= 2140	
M	= 70	
O	= 135.5	
Static load C0 (kN)	= 3752	